

Chemical Applications

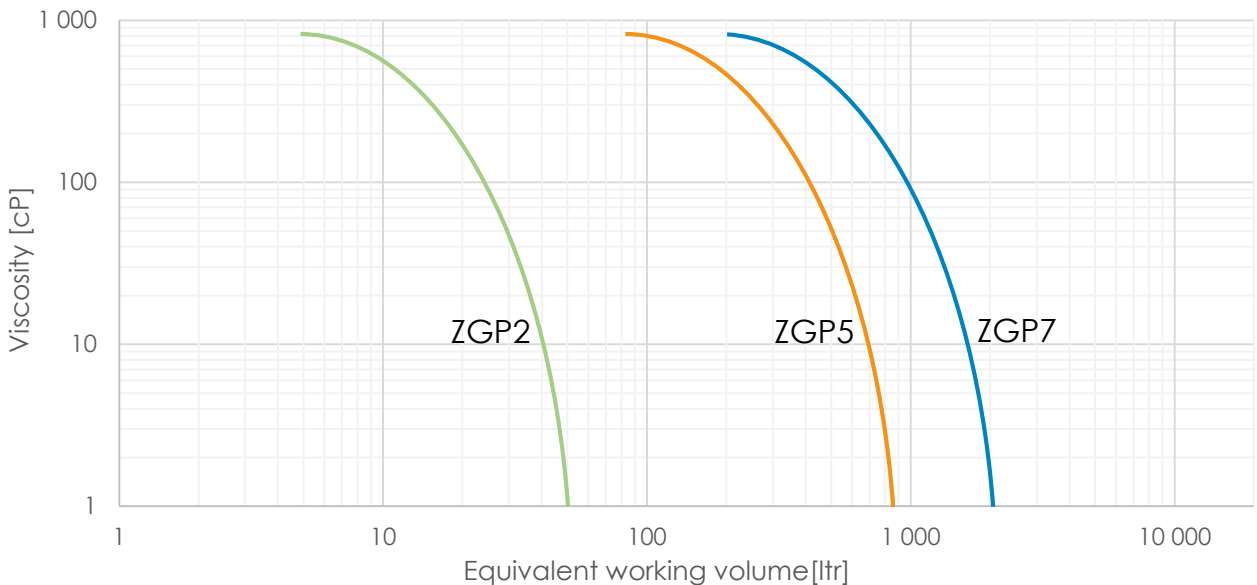
Zero-g Plastic Magnetic Mixer



The ZGP plastic mixers are very versatile and the high efficiency mix head design allows for both effective and gentle mixing at the same time. The ZGP mixer covers a vast range of applications all through the process chain. The excellent aseptic design, FDA compliance, combined with the benefits of the new and innovative bearing design makes it perfect for use in the chemical, pharmaceutical and biotechnology industries. This product line is a great alternative to costly high alloy version for demanding chemical applications.

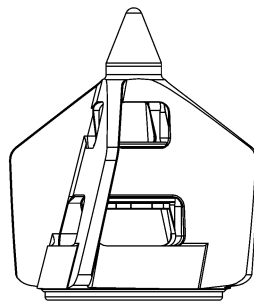
Basic Selection

	ZGP2	ZGP5	ZGP7
Max Volume at 1 cP [ltr]	50	850	2000
Max Speed [rpm]	490	490	490



The information in this publication is subject to change without prior notice. The information in this document is believed to be complete and accurate at the time of publication. Metenova assumes no responsibility for any errors that may appear in this document. Customer is responsible for determining Metenova's product will perform suitable in the intended application.

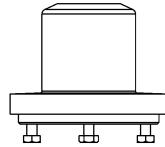
Mix Head



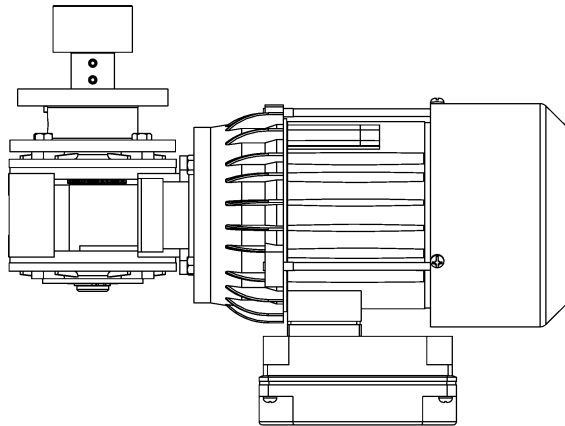
Male Post



Tank Plate



Drive Unit



General guide for components detail specification data sheet
(More variation options available for each subcomponent)

Mixer Model	Mixing Head	Male Post	Tank Plate	Drive Unit
ZGP2	DS ZG2P MH -1551	DS ZG- MP 18 -827	DS ZG2P TP -4241	DS ZG2 DU AC E0 -875
ZGP5	DS ZG5P MH -2339	DS ZG- MP 32 -199	DS ZG5P TP -4240	DS ZG5 DU AC E0 -442
ZGP7	DS ZG7P MH -2603	DS ZG- MP 32 -199	DS ZG7P TP -4429	DS ZG7 DU AC E0 -444

Net Weight (approximate)

Mixer Model	ZGP2	ZGP5	ZGP7
Weight kg (lb)	5 (11)	12 (26)	18 (40)

Additional information

Operating Temp	5°C - 60°C (41°F - 140°F) Environment Temp 0°C - 40°C (32°F - 104°F)
Operating Pressure	-1 – 7 barg (-14.7 – 103 psig)
Surface Roughness	Ra ≤ 3.2 µm (126 µin)
Surface Treatment	NA
Product contact material	Standard Polypropylene, bearing material SIC and elastomers EPDM. All materials are USP VI and FDA compliant. Other material options available upon request.