

Emulsification
and High Shear
Applications

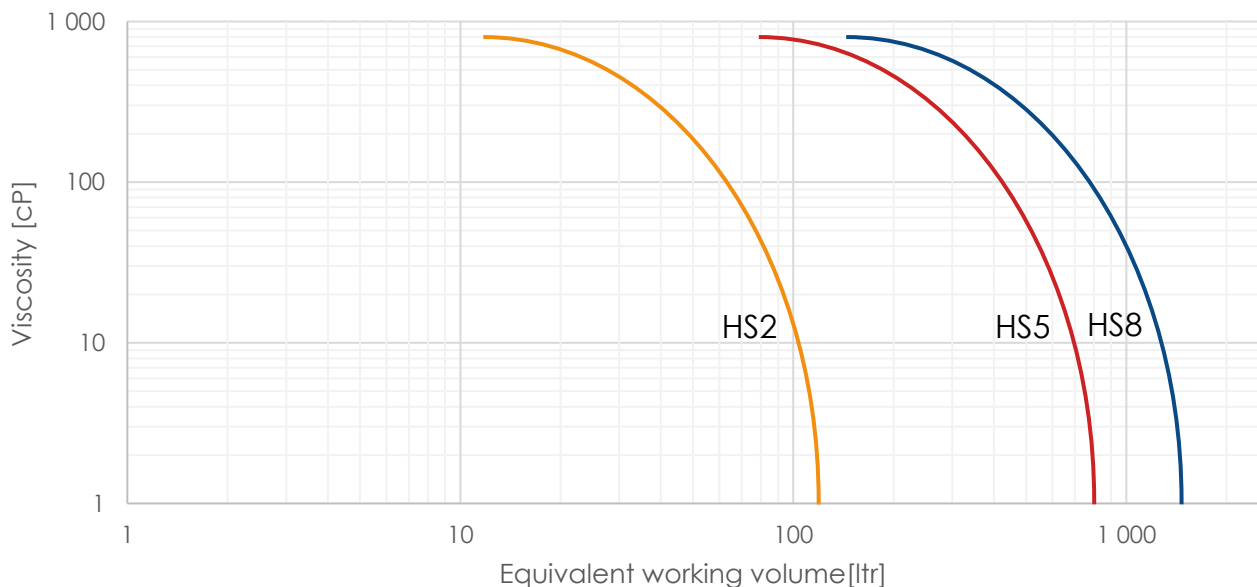


High Shear Magnetic Mixer

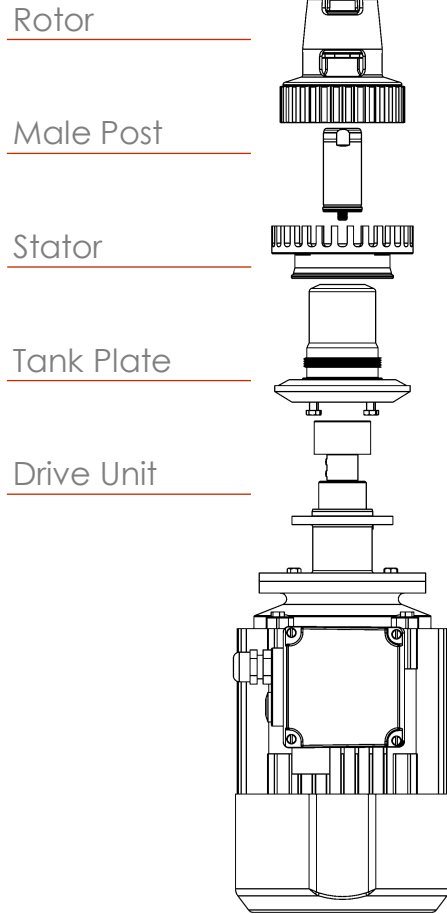
The Metenova HS High Shear mixer offer a rotor/stator aseptic magnetic mixer for your critical fine emulsions and dispersions. Metenovas High Shear mixers disperse droplets and creates an even particle size distribution, enabling down-stream high pressure emulsification processing. It also improves the suspension characteristics of the product. The Metenova HS is ideal for emulsification applications, difficult to dissolve solids and particle downsizing.

Basic Selection

	HS2	HS5	HS8
Max Volume at 1 cP [ltr]	120	800	1500
Max Speed [rpm]	3900	3900	3500
Shear rate	27000	36000	32000



The information in this publication is subject to change without prior notice. The information in this document is believed to be complete and accurate at the time of publication. Metenova assumes no responsibility for any errors that may appear in this document. Customer is responsible for determining Metenova's product will perform suitable in the intended application.



General guide for components detail specification data sheet
(More variation options available for each subcomponent)

Mixer Model	Rotor	Male Post	Stator	Tank Plate	Drive Unit
HS2	DS HS2 Rotor -3391	DS ZG- MP 18 -827	DS HS2 Stator -3934	DS HS2 TPW -3510	DS HS2 DU E0 -3491
HS5	DS HS5 Rotor -1633	DS ZG- MP 32 -199	DS HS5 Stator -3108	DS HS5 TPW -3490	DS HS5 DU E0 -2111
HS8	DS HS8 Rotor -3548	DS ZG- MP 40 -329	DS HS8 Stator -3936	DS HS8 TPW -3798	DS HS8 DU E0 -3614

Net Weight (approximate)

Mixer Model	HS2	HS5	HS8
Weight kg (lb)	9 (20)	27 (60)	87 (192)

Additional information

Operating Temp	5°C - 150°C (41°F - 302°F) Environment Temp 0°C - 40°C (32°F - 104°F)
Operating Pressure	-1 – 7 barg (-14.7 – 103 psig)
Surface Roughness	Ra ≤ 0.38 µm (15 µin)
Surface Treatment	Electro polished. Non animal origin polishing compounds are used.
Product contact material	Standard SS material 316L, bearing material SIC and elastomers EPDM (USP VI , FDA compliant). Other material options available upon request.