

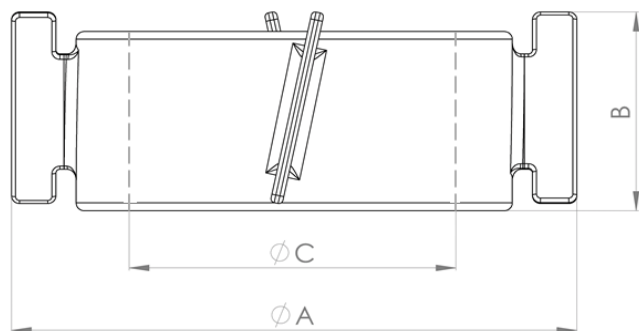
# Truelev

## Mix Head

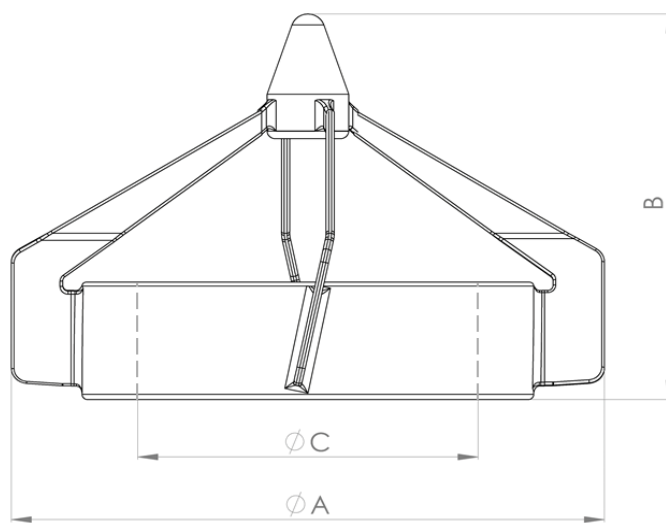
The revolutionary Truelev with its bearing-less fully levitating technology is perfect for shear sensitive products. This product is our high-end mixer that offers a unique control and measuring capability.

Low Shear Applications

**ZF100**



**ZF160**



### Measurements

Mixer model	Article Number	ØA mm (in)	B mm (in)	ØC mm (in)	Weight kg (lb)
ZF100	ZF12509-A04718	140 (5.51)	51 (2.01)	80.1 (3.15)	1.5 (3.3)
ZF160	ZF16509-A02283	220 (8.66)	147.8 (5.82)	125.1 (4.93)	3.4 (7.6)

### General information

<b>Material</b>	Stainless Steel AISI 316L (1.4435) (Other materials are available upon request)
<b>Surface Roughness</b>	Ra ≤ 0.38 µm (15 µin)
<b>Surface Treatment</b>	Electro polished. Non animal origin polishing compounds are used.
<b>Operating Temp</b>	5°C - 135°C (41°F - 275°F)
<b>pH Range</b>	1 - 14
<b>Operating Pressure</b>	-1 - 7 barg (-14.5 - 101.5 psig)

mete  nova

[www.metenova.com](http://www.metenova.com)

Phone: +46 (0)31-335 95 00 | +1(908) 537 4199 | E-mail: [info@metenova.com](mailto:info@metenova.com)

The information in this publication is subject to change without prior notice. The information in this document is believed to be complete and accurate at the time of publication. Metenova assumes no responsibility for any errors that may appear in this document. Customer is responsible for determining Metenova's product will perform suitable in the intended application