

# Tools

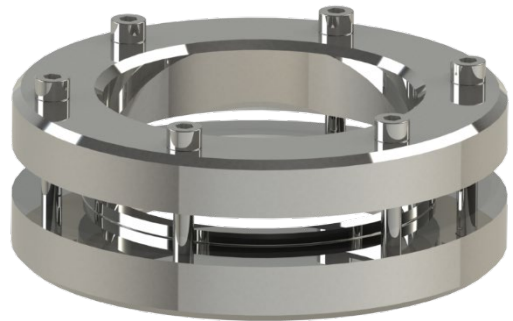
## Welding

The line Tools & Accessories contains a set of tools that will enhance and/or simplify the handling of Metenovas products.

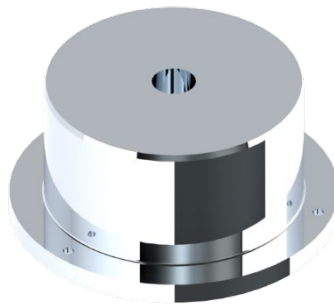
Tools &  
Accessories



**Tool for Welded Tank Plates**



**Tool for Flanged Tank Plates**



**Gauge for ZF**

### General information

<b>Material</b>	<b>Welding tools ZG, ZF, HP</b>	Stainless Steel EN 1.4404 / AISI 316L
	<b>Welding tools HS</b>	Aluminum
	<b>Gauge</b>	Aluminum

- Items are individually packed and for traceability purposes marked with item number.
- Metenovas Quality Assurance System ensures the quality and traceability at all stages of the process.

## Welding Tools

Part #		Compatible with
<b>Welding tool for Welded Tank Plates</b>		
ZG00016-00959	ZG- Welding Tool, Tank Plate [ZG1, ZG2, HP2]	ZG1 • ZG2 • HP2
ZG00016-00506	ZG- Welding Tool, Tank Plate [ZG3, ZG5, HP5]	ZG3 • ZG5 • HP5
ZG00016-00507	ZG6 Welding Tool, Tank Plate	ZG6
ZG00016-00508	ZG- Welding Tool, Tank Plate [ZG7, HP8]	ZG7 • HP8
ZG00016-00509	ZG8 Welding Tool, Tank Plate	ZG8
ZG00016-00510	ZG9 Welding Tool, Tank Plate	ZG9
ZG00016-00511	ZG10 Welding Tool, Tank Plate	ZG10
HS51016-04563	HS2 Welding Tool, Tank Plate	HS2
HS52016-03488	HS5 Welding Tool, Tank Plate	HS5
HS53016-05100	HS8 Welding Tool, Tank Plate	HS8
ZF12016-04222	ZF100 Welding Tool, Tank Plate	ZF100
ZF00016-02226	ZF160 Welding Tool, Tank Plate	ZF160
<b>Welding tool for Flanged Tank Plates</b>		
ZG00016-01764	ZG- Welding Tool Flanged TP [ZG1, ZG2, HP2, HS2]	ZG1 • ZG2 • HP2 • HS2
ZG00016-00708	ZG- Welding Tool Flanged TP [ZG3, ZG5, HP5, HS5]	ZG3 • ZG5 • HP5 • HS5
ZG00016-01765	ZG6 Welding Tool Flanged TP	ZG6
ZG00016-01766	ZG- Welding Tool Flanged TP [ZG7, ZF100]	ZG7 • ZF100
ZG00016-01767	ZG- Welding Tool Flanged TP [ZG8, HP8, HS8]	ZG8 • HP8 • HS8
ZG00016-01768	ZG- Welding Tool Flanged TP [ZG9, ZF160]	ZG9 • ZF160
ZG00016-01769	ZG10 Welding Tool Flanged TP	ZG10
<b>Gauge</b>		
ZF12016-04223	ZF100 Gauge	ZF100
ZF16504-02195	ZF160 Gauge	ZF160



www.metenova.com

Phone: +46 (0)31-335 95 00 | +1(908) 537 4199 | E-mail: info@metenova.com

The information in this publication is subject to change without prior notice. The information in this document is believed to be complete and accurate at the time of publication. Metenova assumes no responsibility for any errors that may appear in this document. Customer is responsible for determining Metenova's product will perform suitable in the intended application