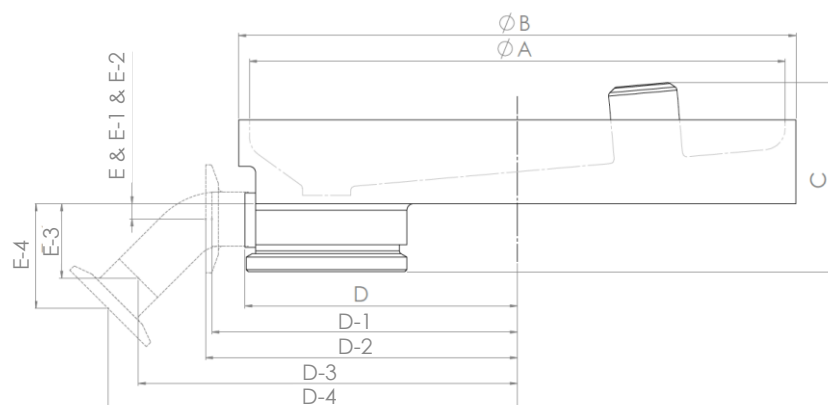


# Dished End

## Zero-g

The Dished End program is a product line designed to enhance the mixing performance when dealing with smaller vessels.

Tools &  
Accessories



### Specifications

Item number	Description*	ØA mm (in)	ØB mm (in)	C mm (in)	Mixer
D15Z2N2-04948	Dished End ID150. ZG2. 0.75" NA TOV	150 (5.91)	160 (6.30)	72.8 (2.87)	ZG1 / ZG2 / HP2
D15Z2R2-04949	Dished End ID150. ZG2. 0.75" RA TOV	150 (5.91)	160 (6.30)	75.1 (2.96)	ZG1 / ZG2 / HP2
D20Z2N3-04946	Dished End ID200. ZG2. 1" NA TOV	200 (7.87)	210 (8.27)	84.6 (3.33)	ZG1 / ZG2 / HP2
D20Z2R3-04947	Dished End ID200. ZG2. 1" RA TOV	200 (7.87)	210 (8.27)	86.0 (3.39)	ZG1 / ZG2 / HP2
D25Z2N3-04944	Dished End ID250. ZG2. 1" NA TOV	250 (9.84)	260 (10.24)	88.3 (3.48)	ZG1 / ZG2 / HP2
D25Z2R3-04945	Dished End ID250. ZG2. 1" RA TOV	250 (9.84)	260 (10.24)	89.7 (3.53)	ZG1 / ZG2 / HP2
D30Z2N3-04938	Dished End ID300. ZG2. 1" NA TOV	300 (11.81)	310 (12.20)	92.0 (3.62)	ZG1 / ZG2 / HP2
D30Z2R3-04943	Dished End ID300. ZG2. 1" RA TOV	300 (11.81)	310 (12.20)	93.4 (3.68)	ZG1 / ZG2 / HP2

\* Mix Head size and types applicable Dished End for: ZG1, ZG2 and HP2

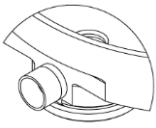
### Specifications. Add-ons #

Item number	D mm (in)	D-1 mm (in)	D-2 mm (in)	D-3 mm (in)	D-4 mm (in)	E/E-1/E-2 mm (in)	E-3 mm (in)	E-4 mm (in)
D15Z2N2-04948	78.5 (3.09)	90.5 (3.56)	98.5 (3.88)	139.6 (5.50)	148.0 (5.83)	3.9 (0.15)	28.9 (1.14)	37.3 (1.47)
D15Z2R2-04949	78.1 (3.07)	90.1 (3.55)	98.1 (3.86)	139.2 (5.48)	147.6 (5.81)	4.0 (0.16)	29.0 (1.14)	37.4 (1.47)
D20Z2N3-04946	102.1 (4.02)	116.6 (4.59)	122.1 (4.81)	153.4 (6.04)	161.9 (6.37)	7.7 (0.30)	35.3 (1.39)	43.8 (1.72)
D20Z2R3-04947	100.5 (3.96)	115.0 (4.53)	120.5 (4.74)	151.8 (5.98)	160.3 (6.31)	7.2 (0.28)	34.8 (1.37)	43.2 (1.70)
D25Z2N3-04944	127.1 (5.00)	141.6 (5.57)	147.1 (5.79)	178.4 (7.02)	186.9 (7.36)	7.7 (0.30)	35.3 (1.39)	43.8 (1.72)
D25Z2R3-04945	125.5 (4.94)	140.0 (5.51)	145.5 (5.73)	176.8 (6.96)	185.3 (7.30)	7.2 (0.28)	34.8 (1.37)	43.2 (1.70)
D30Z2N3-04938	152.0 (5.98)	166.5 (6.56)	172.0 (6.77)	203.4 (8.01)	211.8 (8.34)	7.7 (0.30)	35.3 (1.39)	43.8 (1.72)
D30Z2R3-04943	150.5 (5.93)	165.0 (6.50)	170.5 (6.71)	201.8 (7.94)	210.3 (8.28)	7.2 (0.28)	34.8 (1.37)	43.2 (1.70)

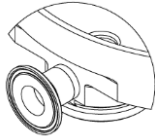
## Additional information

Operating Temperature	5°C -150°C (41°F -302°F) Environment Temp 0°C -40°C (32°F -104°F)
Operating Pressure	-1 – 7 barg (-14.7 – 103 psig)
Surface Roughness Product contact	Ra ≤ 0.38 µm (15 µin)
Surface Treatment	Mirror polished. Non animal origin polishing compounds are used. Dished End bottom glass blasted for a matte finish.
Product contact material	Stainless Steel ASME 316L acc. to SA-479 & EN 1.4404 acc. to EN 10272, UNS S31603 (Other materials are available upon request)

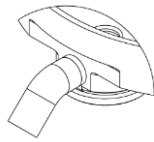
- Note: Use Dished End compatible Drive Unit



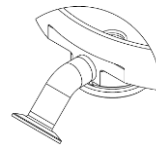
Option 1:  
Extended  
Butt End



Option 2:  
TC



Option 3:  
45° Elbow



Option 4:  
45° Elbow + TC

## Add-ons

	1" TOV	0.75" TOV
<b>Option 1</b> Extended Butt End	ZG00514-05375	ZG00514-05385
<b>Option 2</b> TC	ZG00514-05376	ZG00514-05386
<b>Option 3</b> 45° Elbow	ZG00514-05377	ZG00514-05387
<b>Option 4</b> 45° Elbow + TC	ZG00514-05378	ZG00514-05388

mete  nova

www.metenova.com

Phone: +46 (0)31-335 95 00 | +1(908) 537 4199 | E-mail: info@metenova.com

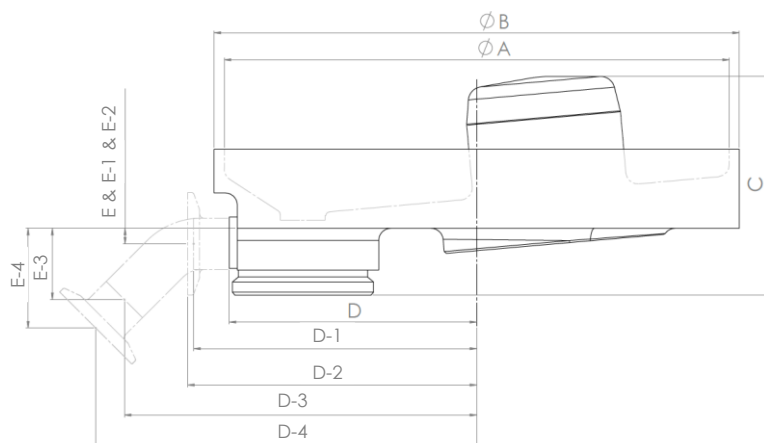
The information in this publication is subject to change without prior notice. The information in this document is believed to be complete and accurate at the time of publication. Metenova assumes no responsibility for any errors that may appear in this document. Customer is responsible for determining Metenova's product will perform suitable in the intended application

# Dished End

## Truelev

Tools &  
Accessories

The Dished End program is a product line designed to enhance the mixing performance when dealing with smaller vessels.



### Specifications

Item number	Description	ØA mm (in)	ØB mm (in)	C mm (in)	Mixer
D20T1N2-S04992	Dished End ID200. ZF100. 0.75" NA TOV	200 (7.87)	210 (8.27)	97.2 (3.83)	ZF100
D20T1R2-S04993	Dished End ID200. ZF100. 0.75" RA TOV	200 (7.87)	210 (8.27)	99.5 (3.92)	ZF100
D25T1N3-S04990	Dished End ID250. ZF100. 1" NA TOV	250 (9.84)	260 (10.24)	113.0 (4.45)	ZF100
D25T1R3-S04991	Dished End ID250. ZF100. 1" RA TOV	250 (9.84)	260 (10.24)	114.4 (4.50)	ZF100
D30T1N3-S04988	Dished End ID300. ZF100. 1" NA TOV	300 (11.81)	310 (12.20)	116.5 (4.59)	ZF100
D30T1R3-S04989	Dished End ID300. ZF100. 1" RA TOV	300 (11.81)	310 (12.20)	117.9 (4.64)	ZF100

### Specifications. Add-ons #

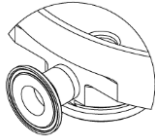
Item number	D mm (in)	D-1 mm (in)	D-2 mm (in)	D-3 mm (in)	D-4 mm (in)	E/E-1/E-2 mm (in)	E-3 mm (in)	E-4 mm (in)
D20T1N2-S04992	103.5 (4.07)	115.5 (4.55)	123.5 (4.86)	164.6 (6.48)	173.0 (6.81)	3.9 (0.15)	28.9 (1.14)	37.3 (1.47)
D20T1R2-S04993	102.1 (4.02)	114.1 (4.49)	122.1 (4.81)	163.2 (6.43)	171.6 (6.76)	4.0 (0.16)	29.0 (1.14)	37.4 (1.47)
D25T1N3-S04990	123.1 (4.85)	137.6 (5.42)	143.1 (5.63)	174.4 (6.87)	182.9 (7.20)	7.7 (0.30)	35.3 (1.39)	43.8 (1.72)
D25T1R3-S04991	122.5 (4.82)	137.0 (5.39)	142.5 (5.61)	173.8 (6.84)	182.3 (7.18)	7.2 (0.28)	34.8 (1.38)	43.2 (1.70)
D30T1N3-S04988	148.1 (5.83)	162.6 (6.40)	168.1 (6.62)	199.4 (7.85)	207.9 (8.19)	7.7 (0.30)	35.3 (1.39)	43.8 (1.72)
D30T1R3-S04989	147.5 (5.81)	162.0 (6.38)	167.5 (6.59)	198.8 (7.83)	207.3 (8.16)	7.2 (0.28)	34.8 (1.38)	43.2 (1.70)

## Additional information

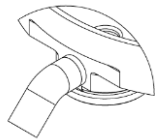
Operating Temperature	5°C -135°C (41°F -275°F) Environment Temp 0°C -40°C (32°F -104°F)
Operating Pressure	-1 – 7 barg (-14.7 – 103 psig)
Surface Roughness Product contact	Ra ≤ 0.38 µm (15 µin)
Surface Treatment	Mirror polished. Non animal origin polishing compounds are used. Dished End bottom glass blasted for a matte finish.
Product contact material	Stainless Steel ASME 316L acc. to SA-479 & EN 1.4435 acc. to EN 10272, ASME UG-14 or Code Case 2156-1. Basler Norm BN2 low ferrite. (Other materials are available upon request)



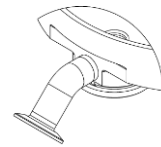
Option 1:  
Extended  
Butt End



Option 2:  
TC



Option 3:  
45° Elbow



Option 4:  
45° Elbow + TC

## Add-ons

	1" TOV	0.75" TOV
Option 1 Extended Butt End	ZG00514-05375	ZG00514-05385
Option 2 TC	ZG00514-05376	ZG00514-05386
Option 3 45° Elbow	ZG00514-05377	ZG00514-05387
Option 4 45° Elbow + TC	ZG00514-05378	ZG00514-05388

mete  nova

www.metanova.com

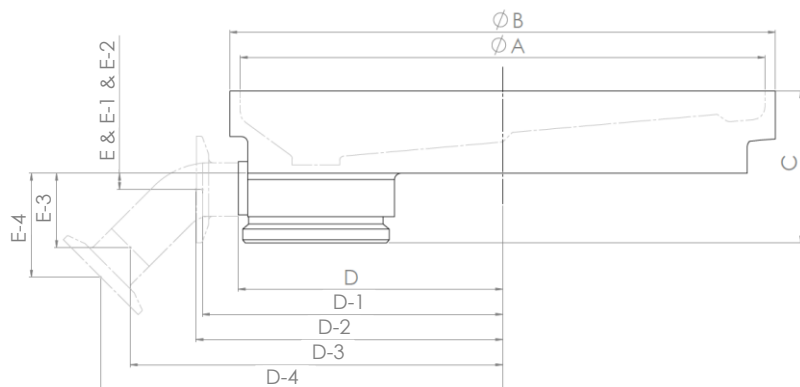
Phone: +46 (0)31-335 95 00 | +1(908) 537 4199 | E-mail: info@metanova.com

The information in this publication is subject to change without prior notice. The information in this document is believed to be complete and accurate at the time of publication. Metanova assumes no responsibility for any errors that may appear in this document. Customer is responsible for determining Metanova's product will perform suitable in the intended application

# Dished End Flange

The Dished End program is a product line designed to enhance the mixing performance when dealing with smaller vessels.

Tools &  
Accessories



## Specifications

Item number	Description	ØA mm (in)	ØB mm (in)	C mm (in)	Mixer
D20FN3-05018	Dished End ID200. Flange. 1" NA TOV	200 (7.87)	210 (8.27)	66.6 (2.62)	ZG1/ZG2/HS2/HP2
D20FR3-05019	Dished End ID200. Flange. 1" RA TOV	200 (7.87)	210 (8.27)	68.0 (2.68)	ZG1/ZG2/HS2/HP2
D25FN3-05016	Dished End ID250. Flange. 1" NA TOV	250 (9.84)	260 (10.24)	70.9 (2.79)	ZG1/ZG2/HS2/HP2
D25FR3-05017	Dished End ID250. Flange. 1" RA TOV	250 (9.84)	260 (10.24)	72.3 (2.85)	ZG1/ZG2/HS2/HP2
D30FN3-05014	Dished End ID300. Flange. 1" NA TOV	300 (11.81)	310 (12.20)	75.2 (2.96)	ZG1/ZG2/HS2/HP2
D30FR3-05015	Dished End ID300. Flange. 1" RA TOV	300 (11.81)	310 (12.20)	76.6 (3.02)	ZG1/ZG2/HS2/HP2

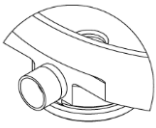
## Specifications. Add-ons #

Item number	D mm (in)	D-1 mm (in)	D-2 mm (in)	D-3 mm (in)	D-4 mm (in)	E/E-1/E-2 mm (in)	E-3 mm (in)	E-4 mm (in)
D20FN3-05018	101.1 (3.98)	118.1 (4.65)	121.1 (4.77)	152.4 (6.00)	160.9 (6.33)	7.7 (0.30)	35.3 (1.39)	43.8 (1.72)
D20FR3-05019	101.0 (3.98)	118.0 (4.65)	121.0 (4.76)	152.3 (6.00)	160.8 (6.33)	7.2 (0.28)	34.8 (1.37)	43.2 (1.70)
D25FN3-05016	126.1 (4.96)	140.6 (5.54)	146.1 (5.75)	177.4 (6.98)	185.9 (7.32)	7.7 (0.30)	35.3 (1.39)	43.8 (1.72)
D25FR3-05017	126.0 (4.96)	140.5 (5.53)	146.0 (5.75)	177.3 (6.98)	185.8 (7.31)	7.2 (0.28)	34.8 (1.37)	43.2 (1.70)
D30FN3-05014	151.1 (5.95)	165.6 (6.52)	171.1 (6.74)	202.4 (7.97)	210.9 (8.30)	7.7 (0.30)	35.3 (1.39)	43.8 (1.72)
D30FR3-05015	151.0 (5.95)	165.5 (6.52)	171.0 (6.73)	202.3 (7.96)	210.8 (8.30)	7.2 (0.28)	34.8 (1.37)	43.2 (1.70)

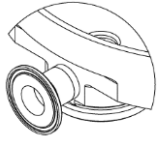
## Additional information

Operating Temperature	5°C -150°C (41°F -302°F) Environment Temp 0°C -40°C (32°F -104°F)
Operating Pressure	-1 – 7 barg (-14.7 – 103 psig)
Surface Roughness Product contact	Ra ≤ 0.38 µm (15 µin)
Surface Treatment	Mirror polished. Non animal origin polishing compounds are used. Dished End bottom glass blasted for a matte finish.
Product contact material	Stainless Steel ASME 316L acc. to SA-479 & EN 1.4404 acc. to EN 10272, UNS S31603 (Other materials are available upon request)

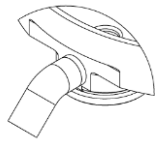
- Note: Use Dished End & Flange compatible Drive Unit.



Option 1:  
Extended  
Butt End



Option 2:  
TC



Option 3:  
45° Elbow



Option 4:  
45° Elbow + TC

## Add-ons

### 1" TOV

Option 1 Extended Butt End	ZG00514-05375
Option 2 TC	ZG00514-05376
Option 3 45° Elbow	ZG00514-05377
Option 4 45° Elbow + TC	ZG00514-05378

mete  nova

www.metenova.com

Phone: +46 (0)31-335 95 00 | +1(908) 537 4199 | E-mail: info@metenova.com

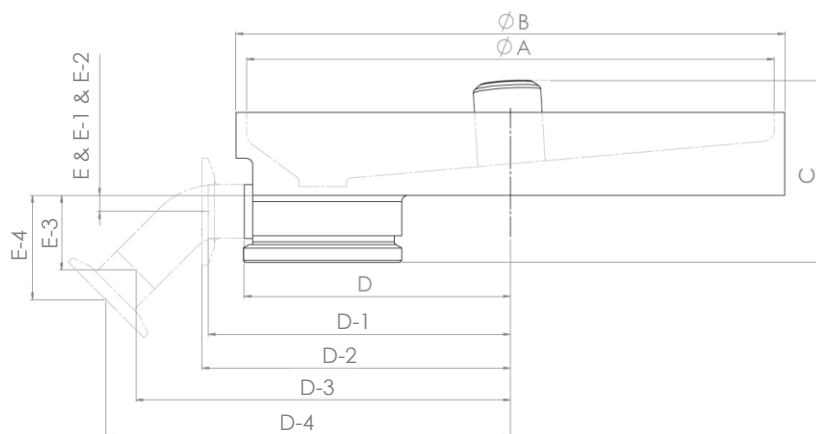
The information in this publication is subject to change without prior notice. The information in this document is believed to be complete and accurate at the time of publication. Metenova assumes no responsibility for any errors that may appear in this document. Customer is responsible for determining Metenova's product will perform suitable in the intended application

# Dished End

## Zero-g & Flange

The Dished End program is a product line designed to enhance the mixing performance when dealing with smaller vessels.

Tools & Accessories



### Specifications

Item number	Description	ØA mm (in)	ØB mm (in)	C mm (in)	Mixer
D25Z2FN3-05004	Dished End ID250. ZG2 & Flange. 1" NA TOV	250 (9.84)	260 (10.24)	86.2 (3.39)	
D25Z2FR3-05005	Dished End ID250. ZG2 & Flange. 1" RA TOV	250 (9.84)	260 (10.24)	87.6 (3.45)	ZG1/ZG2/ HP2 & Flange for
D30Z2FN3-05002	Dished End ID300. ZG2 & Flange. 1" NA TOV	300 (11.81)	310 (12.20)	88.9 (3.50)	ZG1/ZG2/ HP2/ HS2
D30Z2FR3-05003	Dished End ID300. ZG2 & Flange. 1" RA TOV	300 (11.81)	310 (12.20)	90.3 (3.56)	

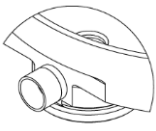
### Specifications. Add-ons #

Item number	D mm (in)	D-1 mm (in)	D-2 mm (in)	D-3 mm (in)	D-4 mm (in)	E/E-1/E-2 mm (in)	E-3 mm (in)	E-4 mm (in)
D25Z2FN3-05004	126.1 (4.96)	140.6 (5.54)	146.1 (5.75)	177.4 (6.98)	185.9 (7.32)	7.7 (0.30)	35.3 (1.39)	43.8 (1.72)
D25Z2FR3-05005	126.0 (4.96)	140.5 (5.53)	146.0 (5.75)	177.3 (6.98)	185.8 (7.31)	7.2 (0.28)	34.8 (1.37)	43.2 (1.70)
D30Z2FN3-05002	151.1 (5.95)	165.6 (6.52)	171.1 (6.74)	202.4 (8.53)	210.9 (8.30)	7.7 (0.30)	35.3 (1.39)	43.8 (1.72)
D30Z2FR3-05003	151.0 (5.95)	165.5 (6.52)	171.0 (6.73)	202.3 (8.52)	210.8 (8.30)	7.2 (0.28)	34.8 (1.37)	43.2 (1.70)

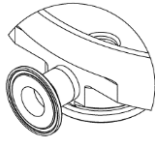
## Additional information

Operating Temperature	5°C -150°C (41°F -302°F) Environment Temp 0°C -40°C (32°F -104°F)
Operating Pressure	-1 – 7 barg (-14.7 – 103 psig)
Surface Roughness Product contact	Ra ≤ 0.38 µm (15 µin)
Surface Treatment	Mirror polished. Non animal origin polishing compounds are used. Dished End bottom glass blasted for a matte finish.
Product contact material	Stainless Steel ASME 316L acc. to SA-479 & EN 1.4404 acc. to EN 10272, UNS S31603 (Other materials are available upon request)

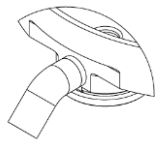
- Note: Use Dished End & Flange compatible Drive Unit.



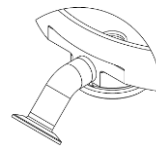
Option 1:  
Extended  
Butt End



Option 2:  
TC



Option 3:  
45° Elbow



Option 4:  
45° Elbow + TC

## Add-ons

### 1" TOV

Option 1 Extended Butt End	ZG00514-05375
Option 2 TC	ZG00514-05376
Option 3 45° Elbow	ZG00514-05377
Option 4 45° Elbow + TC	ZG00514-05378

mete  nova

www.metenova.com

Phone: +46 (0)31-335 95 00 | +1(908) 537 4199 | E-mail: info@metenova.com

The information in this publication is subject to change without prior notice. The information in this document is believed to be complete and accurate at the time of publication. Metenova assumes no responsibility for any errors that may appear in this document. Customer is responsible for determining Metenova's product will perform suitable in the intended application