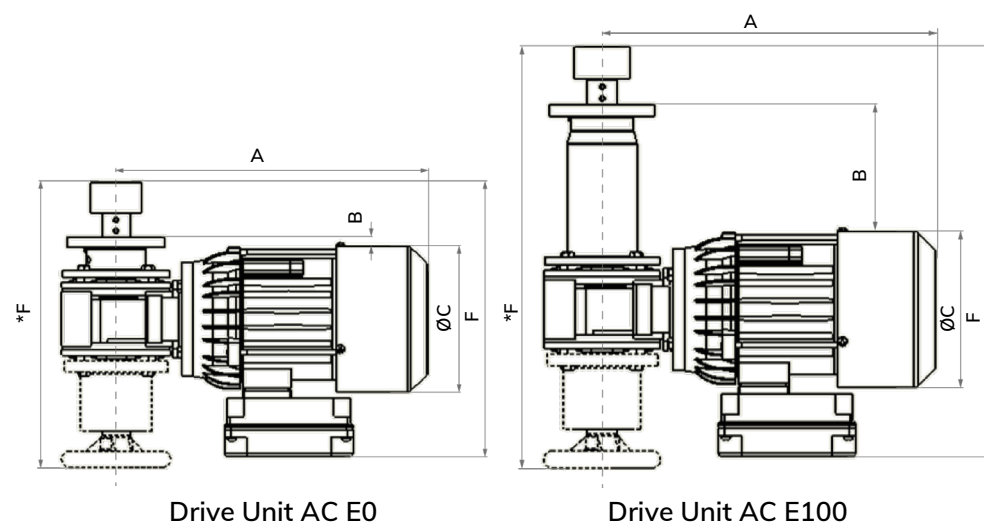


Zero-g

Drive Unit AC

Zero-g mixers are the base line of Metenova's mixer program. They are very versatile and covers a vast range of applications all through the process chain.



General Information

Voltage	Δ230 / Y400 VAC @ 50Hz / Y460 VAC @ 60Hz (±5%)
Thermal Protection	PTC thermistors
Forced Cooling Power Supply	Δ230 VAC
Certified for Incorporation	CE & cRU ^{us}
Environment Temperature	0°C - 40°C (32°F - 104°F)
Paint	In compliance with FDA
Gear Box Oil	Food grade in compliance with FDA
Cooling Type	TEFC (Totally Enclosed, Fan-Cooled)
Motor support	Due to heavy weight, extra support is necessary for sizes ZG8 and above.
Packing and Marking	Items are individually packed and for traceability purposes marked with item & id no.
Quality Assurance	Metenova Quality Assurance system ensures the quality and traceability at all stages of the process.

Product Key

Complete Item Number with Versions

Versions

ZGXXXXX-[]XXXXX	[] = F, I, D, N		F	I	D	N
		Efficiency Performance Class	IE3	IE3	IE3	IE3
		Protection Class	IP55	IP54	IP66	IP66
		Forced Cooling	-	Yes	-	Yes

Measurements IP54/IP55

Mixer Model	Article Number	A mm (in)	B mm (in)	ØC mm (in)	F mm (in)	Weight kg (lb)	With Lowering Device	
							*F mm (in)	**Weight kg (lb)
ZG1, ZG2 E0	ZG51502-F00875	231 (9.07)	3 (0.1)	110 (4.33)	219 (8.62)	5.2 (11.55)	269 (10.59)	6.6 (14.48)
ZG1, ZG2 E100	ZG51502-F00980	231 (9.07)	103 (4.1)	110 (4.33)	319 (12.56)	5.8 (12.85)	350 (13.78)	7.4 (16.38)
ZG1, ZG2 E0 Flanged, Dished End	ZG51502-F02542	231 (9.07)	3 (0.1)	110 (4.33)	239 (9.39)	5.2 (11.55)	-	-
ZG3 E0	ZG12502-F00441	244 (9.61)	5 (0.2)	120 (4.72)	227 (8.94)	6.2 (13.76)	252 (9.92)	7.6 (16.80)
ZG3 E0	ZG12502-I00441	297 (11.69)	5 (0.2)	120 (4.72)	227 (8.94)	6.8 (15.08)	252 (9.92)	8.2 (18.12)
ZG3 E100	ZG12502-F00427	244 (9.61)	105 (4.1)	120 (4.72)	327 (12.85)	6.9 (15.30)	352 (13.88)	8.4 (18.41)
ZG3 E100	ZG12502-I00427	297 (11.69)	105 (4.1)	120 (4.72)	327 (12.85)	7.5 (16.62)	352 (13.88)	9.0 (19.73)
ZG5 E0	ZG52502-F00442	286 (11.26)	5 (0.2)	134 (5.28)	251 (9.88)	9.9 (21.91)	261 (10.28)	11.1 (24.36)
ZG5 E0	ZG52502-I00442	326 (12.83)	5 (0.2)	134 (5.28)	251 (9.88)	10.5 (23.24)	261 (10.28)	11.7 (25.68)
ZG5 E100	ZG52502-F00428	286 (11.26)	105 (4.1)	134 (5.28)	351 (13.82)	11.5 (25.26)	361 (14.23)	12.6 (27.87)
ZG5 E100	ZG52502-I00428	326 (12.83)	105 (4.1)	134 (5.28)	351 (13.82)	12.1 (26.59)	361 (14.23)	13.2 (29.19)
ZG6 E0	ZG13502-F00443	304 (11.97)	3 (0.1)	134 (5.28)	249 (9.80)	11.5 (25.38)	260 (10.24)	12.6 (27.80)
ZG6 E0	ZG13502-I00443	344 (13.54)	3 (0.1)	134 (5.28)	249 (9.80)	12.1 (26.70)	260 (10.24)	13.2 (29.12)
ZG6 E100	ZG13502-F00429	304 (11.97)	103 (4.1)	134 (5.28)	349 (13.76)	13.2 (29.10)	360 (14.17)	14.4 (31.68)
ZG6 E100	ZG13502-I00429	344 (13.54)	103 (4.1)	134 (5.28)	349 (13.76)	13.8 (30.42)	360 (14.17)	15.0 (33.00)
ZG7 E0	ZG23502-F00444	320 (12.61)	21 (0.8)	150 (5.91)	282 (11.10)	15.3 (33.82)	314 (12.36)	17.8 (39.24)
ZG7 E0	ZG23502-I00444	386 (15.21)	21 (0.8)	150 (5.91)	282 (11.10)	15.9 (35.14)	314 (12.36)	18.4 (40.57)
ZG7 E100	ZG23502-F00430	320 (12.61)	121 (4.8)	150 (5.91)	382 (15.06)	16.9 (37.21)	414 (16.30)	19.4 (42.86)
ZG7 E100	ZG23502-I00430	386 (15.21)	121 (4.8)	150 (5.91)	382 (15.06)	17.5 (38.54)	414 (16.30)	20.0 (44.18)
ZG8 E0	ZG53502-F00445	374 (14.72)	26 (1.0)	194 (7.64)	319 (12.56)	29.1 (64.22)	344 (13.54)	31.7 (69.86)
ZG8 E0	ZG53502-I00445	443 (17.44)	26 (1.0)	194 (7.64)	319 (12.56)	29.7 (65.54)	344 (13.54)	32.3 (71.19)
ZG8 E100	ZG53502-F00431	374 (14.72)	126 (5.0)	194 (7.64)	419 (16.50)	31.9 (70.31)	444 (17.50)	34.4 (75.88)
ZG8 E100	ZG53502-I00431	443 (17.44)	126 (5.0)	194 (7.64)	419 (16.50)	32.5 (71.63)	444 (17.50)	35.0 (77.21)
ZG9 E0	ZG14502-F00446	399 (15.71)	26 (1.0)	194 (7.64)	329 (12.95)	35.5 (78.24)	354 (13.94)	38.0 (83.78)
ZG9 E0	ZG14502-I00446	445 (17.52)	26 (1.0)	194 (7.64)	329 (12.95)	36.1 (79.56)	354 (13.94)	38.6 (85.10)
ZG9 E100	ZG14502-F00432	399 (15.71)	126 (5.0)	194 (7.64)	429 (16.89)	38.3 (84.33)	454 (17.89)	40.8 (89.90)
ZG9 E100	ZG14502-I00432	445 (17.52)	126 (5.0)	194 (7.64)	429 (16.89)	38.9 (85.65)	454 (17.89)	41.4 (91.23)
ZG10 E0	ZG24502-F00447	474 (18.64)	16 (0.6)	210 (8.27)	338 (13.31)	50.7 (111.71)	353 (13.90)	52.3 (115.19)
ZG10 E0	ZG24502-I00447	496 (19.51)	16 (0.6)	210 (8.27)	338 (13.31)	51.3 (113.03)	353 (13.90)	52.9 (116.51)
ZG10 E100	ZG24502-F00433	474 (18.64)	116 (4.6)	210 (8.27)	438 (17.24)	54.2 (119.45)	453 (17.83)	55.8 (122.95)
ZG10 E100	ZG24502-I00433	496 (19.51)	116 (4.6)	210 (8.27)	438 (17.24)	54.8 (120.77)	453 (17.83)	56.4 (124.27)
ZG11 E100	ZG34502-F3012096	474 (18.64)	116 (4.6)	210 (8.27)	460 (18.11)	65.7 (144.80)	476 (18.74)	70.7 (155.90)
ZG11 E100	ZG34502-I3012096	496 (19.51)	116 (4.6)	210 (8.27)	460 (18.11)	66.3 (146.17)	476 (18.74)	71.3 (157.19)

*F = F measurement with lowering device (Add-on option 3, see separate article number on page 4)

**Weight = Weight with lowering device

Measurements IP66

Mixer Model	Article Number	A mm (in)	B mm (in)	ØC mm (in)	F mm (in)	Weight kg (lb)	With Lowering Device	
							*F mm (in)	**Weight kg (lb)
ZG1, ZG2 E0	ZG51502-D00875	231 (9.07)	3 (0.1)	110 (4.33)	219 (8.62)	5.2 (11.55)	269 (10.59)	6.6 (14.48)
ZG1, ZG2 E100	ZG51502-D00980	231 (9.07)	103 (4.1)	110 (4.33)	319 (12.56)	5.8 (12.85)	350 (13.78)	7.4 (16.38)
ZG1, ZG2 E0 Flanged, Dished End	ZG51502-D02542	231 (9.07)	3 (0.1)	110 (4.33)	239 (9.39)	5.2 (11.55)	-	-
ZG3 E0	ZG12502-D00441	244 (9.61)	5 (0.2)	120 (4.72)	227 (8.94)	6.2 (13.76)	252 (9.92)	7.6 (16.80)
ZG3 E0	ZG12502-N00441	349 (13.74)	5 (0.2)	120 (4.72)	227 (8.94)	8.9 (19.71)	252 (9.92)	10.3 (22.75)
ZG3 E100	ZG12502-D00427	244 (9.61)	105 (4.1)	120 (4.72)	327 (12.85)	6.9 (15.30)	352 (13.88)	8.4 (18.41)
ZG3 E100	ZG12502-N00427	349 (13.74)	105 (4.1)	120 (4.72)	327 (12.85)	9.6 (21.25)	352 (13.88)	11.1 (24.36)
ZG5 E0	ZG52502-D00442	286 (11.26)	5 (0.2)	134 (5.28)	251 (9.88)	9.9 (21.91)	261 (10.28)	11.1 (24.36)
ZG5 E0	ZG52502-N00442	388 (15.28)	5 (0.2)	134 (5.28)	251 (9.88)	12.9 (28.53)	261 (10.28)	14.1 (30.97)
ZG5 E100	ZG52502-D00428	286 (11.26)	105 (4.1)	134 (5.28)	351 (13.82)	11.5 (25.26)	361 (14.23)	12.6 (27.87)
ZG5 E100	ZG52502-N00428	388 (15.28)	105 (4.1)	134 (5.28)	351 (13.82)	14.5 (31.88)	361 (14.23)	15.6 (34.48)
ZG6 E0	ZG13502-D00443	304 (11.97)	3 (0.1)	134 (5.28)	249 (9.80)	11.5 (25.38)	260 (10.24)	12.6 (27.80)
ZG6 E0	ZG13502-N00443	406 (15.98)	3 (0.1)	134 (5.28)	249 (9.80)	14.5 (31.99)	260 (10.24)	15.6 (34.41)
ZG6 E100	ZG13502-D00429	304 (11.97)	103 (4.1)	134 (5.28)	349 (13.76)	13.2 (29.10)	360 (14.17)	14.4 (31.68)
ZG6 E100	ZG13502-N00429	406 (15.98)	103 (4.1)	134 (5.28)	349 (13.76)	16.2 (35.71)	360 (14.17)	17.4 (38.29)
ZG7 E0	ZG23502-D00444	320 (12.61)	21 (0.8)	150 (5.91)	282 (11.10)	15.3 (33.82)	314 (12.36)	17.8 (39.24)
ZG7 E0	ZG23502-N00444	421 (16.59)	21 (0.8)	150 (5.91)	282 (11.10)	18.5 (40.87)	314 (12.36)	21.0 (46.30)
ZG7 E100	ZG23502-D00430	320 (12.61)	121 (4.8)	150 (5.91)	382 (15.06)	16.9 (37.21)	414 (16.30)	19.4 (42.86)
ZG7 E100	ZG23502-N00430	421 (16.59)	121 (4.8)	150 (5.91)	382 (15.06)	20.1 (44.27)	414 (16.30)	22.6 (49.91)
ZG8 E0	ZG53502-D00445	374 (14.72)	26 (1.0)	194 (7.64)	319 (12.56)	29.1 (64.22)	344 (13.54)	31.7 (69.86)
ZG8 E0	ZG53502-N00445	488 (19.21)	26 (1.0)	194 (7.64)	319 (12.56)	32.6 (71.94)	344 (13.54)	35.2 (77.58)
ZG8 E100	ZG53502-D00431	374 (14.72)	126 (5.0)	194 (7.64)	419 (16.50)	31.9 (70.31)	444 (17.50)	34.4 (75.88)
ZG8 E100	ZG53502-N00431	488 (19.21)	126 (5.0)	194 (7.64)	419 (16.50)	35.4 (78.02)	444 (17.50)	37.9 (83.60)
ZG9 E0	ZG14502-D00446	399 (15.71)	26 (1.0)	194 (7.64)	329 (12.95)	35.5 (78.24)	354 (13.94)	38.0 (83.78)
ZG9 E0	ZG14502-N00446	490 (19.29)	26 (1.0)	194 (7.64)	329 (12.95)	39.0 (85.96)	354 (13.94)	41.5 (91.49)
ZG9 E100	ZG14502-D00432	399 (15.71)	126 (5.0)	194 (7.64)	429 (16.89)	38.3 (84.33)	454 (17.89)	40.8 (89.90)
ZG9 E100	ZG14502-N00432	490 (19.29)	126 (5.0)	194 (7.64)	429 (16.89)	41.8 (92.04)	454 (17.89)	44.3 (97.62)
ZG10 E0	ZG24502-D00447	474 (18.64)	16 (0.6)	210 (8.27)	338 (13.31)	50.7 (111.71)	353 (13.90)	52.3 (115.19)
ZG10 E0	ZG24502-N00447	545 (21.44)	16 (0.6)	210 (8.27)	338 (13.31)	54.4 (119.87)	353 (13.90)	56.0 (123.35)
ZG10 E100	ZG24502-D00433	474 (18.64)	116 (4.6)	210 (8.27)	438 (17.24)	54.2 (119.45)	453 (17.83)	55.8 (122.95)
ZG10 E100	ZG24502-N00433	545 (21.44)	116 (4.6)	210 (8.27)	438 (17.24)	57.9 (127.60)	453 (17.83)	59.5 (131.11)
ZG11 E100	ZG34502-D3012096	474 (18.64)	116 (4.6)	210 (8.27)	460 (18.11)	65.7 (144.80)	476 (18.74)	70.7 (155.90)
ZG11 E100	ZG34502-N3012096	545 (21.44)	116 (4.6)	210 (8.27)	460 (18.11)	69.4 (153.0)	476 (18.74)	74.4 (164.0)
ZG12 E100	ZG64502-D08004	635 (25.0)	290 (11.4)	258 (10.2)	N/A	N/A	676 (26.6)***	118.5 (261.2)***

*F = F measurement with lowering device (Add-on option 3, see separate article number on page 4)

**Weight = Weight with lowering device

*** With lowering device is standard option for ZG12

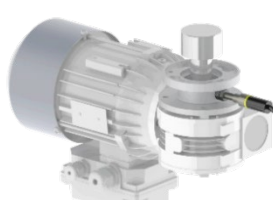
Options

Option 1



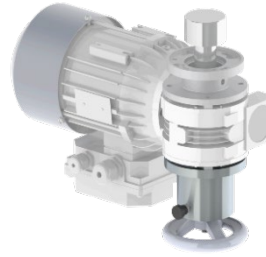
RPM Sensor, Mix Head

Option 2



RPM Sensor, Shaft

Option 3



Lowering Device

Option 4



Transport Locking Device

Mixer Model	RPM Sensor, Mix Head		RPM Sensor, Shaft		Lowering Device		Transport Locking Device
	E0 & E100	E0	E100	E0*	E100	E0 & E100	
ZG1,ZG2	-	ZG00014-03193	ZG00014-03193	ZG51502-04147	ZG51502-04148	ZG00016-01773	
ZG3	ZG00014-03083	ZG00014-03193	ZG00014-03193	ZG12502-03638	ZG12502-03639	ZG12016-01775	
ZG5	ZG00014-03083	ZG00014-03193	ZG00014-03193	ZG52502-02000	ZG52502-02001	ZG52016-01776	
ZG6	ZG00014-03083	ZG00014-03193	ZG00014-03193	ZG13502-02002	ZG13502-02003	ZG13016-01777	
ZG7	ZG00014-03083	ZG00014-03193	ZG00014-03193	ZG23502-02006	ZG23502-02007	ZG23016-02721	
ZG8	ZG00014-03083	-	ZG00014-03193	ZG53502-02008	ZG53502-02009	-	
ZG9	ZG00014-03083	-	ZG00014-03193	ZG14502-02010	ZG14502-02011	-	
ZG10	ZG00014-03083	-	ZG00014-03193	ZG24502-02012	ZG24502-02013	-	
ZG11	ZG00014-03083	-	ZG00014-03193	-	ZG34502-3012097	-	
ZG12	ZG00014-03083	-	ZG00014-03193	-	ZG64502-08004**	-	

*Not possible to combine with RPM Sensor, Shaft

** Standard Option for ZG12

RPM Sensor

Article Number	ZG00014-03083	ZG00014-03193
Type	RPM Sensor, Mix Head	RPM Sensor, Shaft
Pulses/Turn	1	4
Output Function	3-wire, NO contact PNP	4-wire, NO/NC contact PNP
Indicator	Yellow LED	Yellow LED
Temperatur Range	-25°C - 70°C (-13°F - 158°F)	-25°C - 70°C (-13°F - 158°F)
Operations Voltage	10...65 VDC	10...30 VDC
Protection Class	IP67	IP67

Product Specific Information IP54/IP55 and IP66

Mixer Model	Motor	Poles	Gear Box	Current	Min-Max rpm for Mixer
ZG1, ZG2	0.12 kW/ 0.17 hp @ 50Hz 0.14 kW/ 0.19 hp @ 60Hz	2-pole	7:1	0.65A @ 230V/50Hz – 0.38A @ 400V/50Hz – 0.38A @ 460V/60Hz	50* - 490
ZG3	0.25 kW/ 0.33 hp @ 50 Hz 0.29 kW/ 0.38 hp @ 60 Hz	2-pole	7:1	1.10A @ 230V/50Hz – 0.65A @ 400V/50Hz – 0.65A @ 460V/60Hz	50* - 490
ZG5	0.37 kW/ 0.50 hp @ 50 Hz 0.43 kW/ 0.57 hp @ 60 Hz	2-pole	7:1	1.65A @ 230V/50Hz – 0.95A @ 400V/50Hz – 0.95A @ 460V/60Hz	50* - 490
ZG6	0.55 kW/ 0.75 hp @ 50 Hz 0.64 kW/ 0.86 hp @ 60 Hz	2-pole	7:1	2.15A @ 230V/50Hz – 1.25A @ 400V/50Hz – 1.25A @ 460V/60H	50* - 490
ZG7	0.75 kW/ 1.0 hp @ 50 Hz 0.87 kW/ 1.17 hp @ 60 Hz	2-pole	7:1	2.95A @ 230V/50Hz – 1.70A @ 400V/50Hz – 1.70A @ 460V/60Hz	50* - 490
ZG8	2.2 kW/ 2.95 hp @ 50 Hz 2.5 kW/ 3.35 hp @ 60 Hz	2-pole	10:1	7.5A @ 230V/50Hz – 4.3A @ 400V/50Hz – 4.1A @ 460V/60Hz	34* - 343
ZG9	1.5 kW/ 2.0 hp @ 50 Hz 1.7 kW/ 2.3 hp @ 60 Hz	4-pole	7:1	5.7A @ 230V/50Hz – 3.3A @ 400V/50Hz – 3.2A @ 460V/60Hz	24* - 245
ZG10	3.0 kW/ 4.0 hp @ 50 Hz 3.6 kW/ 4.8 hp @ 60 Hz	4-pole	7:1	10.9A @ 230V/50Hz – 6.3A @ 400V/50Hz – 6.3A @ 460V/60Hz	24* - 245
ZG11	3.0 kW/ 4.0 hp @ 50 Hz 3.6 kW/ 4.8 hp @ 60 Hz	4-pole	7:1	10.9A @ 230V/50Hz – 6.3A @ 400V/50Hz – 6.3A @ 460V/60Hz	24* - 210
ZG12	5.5 kW/ 7.3 hp @ 50 Hz	4-pole	8,33:1	10.9A @ 400V/50Hz	19* - 190
	5.5 kW/ 7.3 hp @ 60 Hz			9.75A @ 460V/60Hz 9.84V @ 480V/60Hz	

* Minimum speed is based on 10% of the maximum speed of the motor at approximately 60Hz. If a lower speed is required, an electrical forced cooling must be installed.

Metenova[®]
A REPLIGEN[®] BRAND

Repligen Sweden AB
Norra Ägatan 32
SE-43135 Mölndal, Sweden
Phone +46(0)31 335 95 00
www.metenova.com
info.metenova@repligen.com