

Chemical Applications



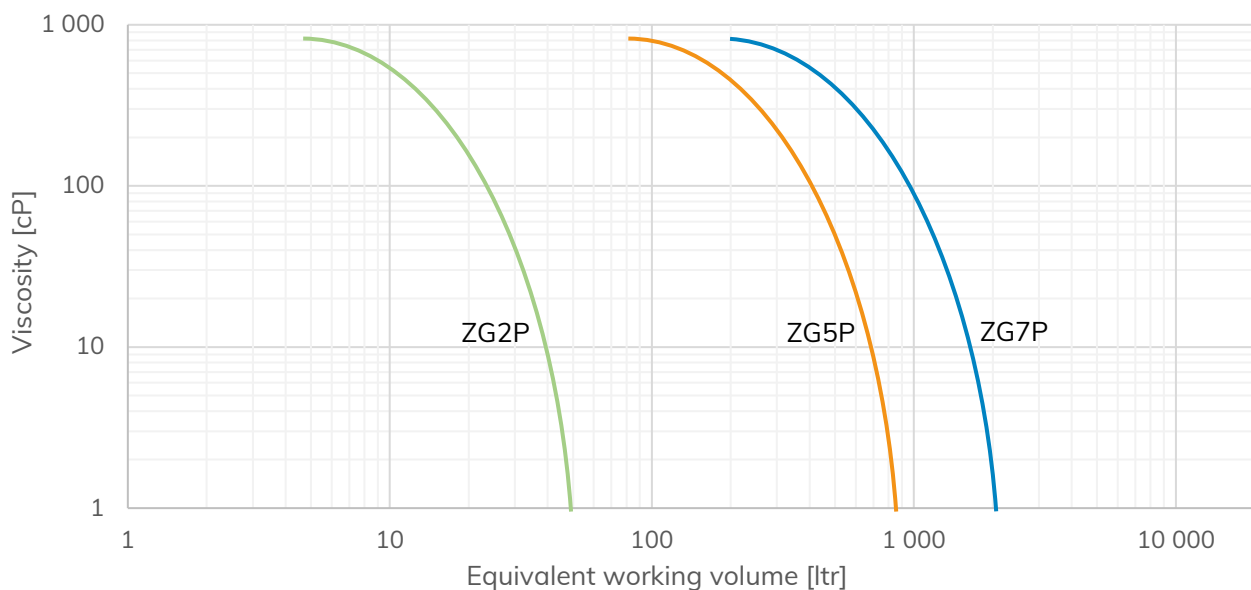
Zero-g Plastic

Magnetic Mixer

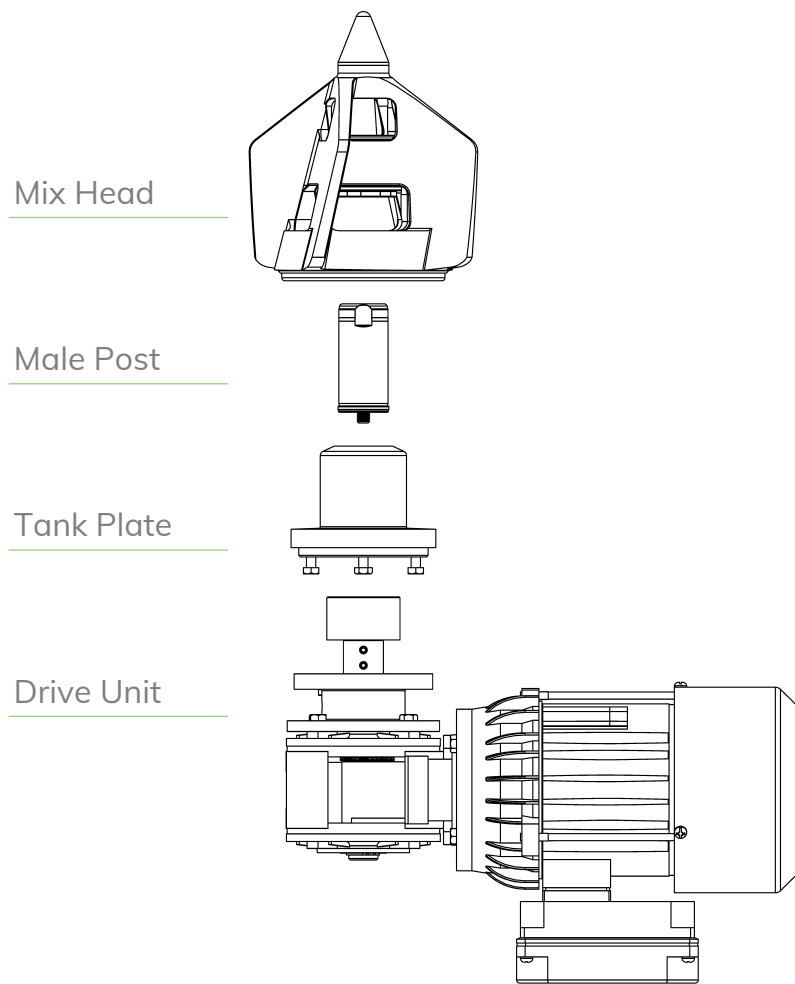
The ZGP plastic Mixers are very versatile and the high efficiency Mix Head design allows for both effective and gentle mixing at the same time. The ZGP Mixer covers a vast range of applications all through the process chain. The excellent aseptic design, FDA compliance, combined with the benefits of the new and innovative bearing design makes it perfect for use in the chemical, pharmaceutical and biotechnology industries. This product line is a great alternative to costly high alloy version for demanding chemical applications.

Basic Selection

	ZG2P	ZG5P	ZG7P
Max Volume at 1 cP [ltr]	50	850	2000
Max Speed [rpm]	490	490	490



The information in this publication is subject to change without prior notice. The information in this document is believed to be complete and accurate at the time of publication. Metenova assumes no responsibility for any errors that may appear in this document. Customer is responsible for determining Metenova's product will perform suitable in the intended application.



General guide for components detail specification datasheet

(More variation options available for each subcomponent)

Mix Head	Male Post	Tank Plate	Drive Unit
DS-043 ZGP Mix Head	DS-045 ZG Male Post	DS-044 ZGP Tank Plate	DS-049 ZG Drive Unit AC

Net Weight (approximate)

Mixer Model	ZG2P	ZG5P	ZG7P
Weight kg (lb)	7 (15)	14 (31)	20 (44)

Additional Information

Operating Temperature	5°C – 60°C (41°F – 140°F)
Environment Temperature	0°C – 40°C (32°F – 104°F)
Operating Pressure	Max 0.5 bar
Surface Roughness	Ra ≤ 3.2 µm (126 µin)
Surface Treatment	N/A
Product Contact Material	Standard Polypropylene, bearing material SSiC and elastomers EPDM. All materials are USP VI and FDA compliant. Other material options for O-rings are available upon request.

The information in this publication is subject to change without prior notice. The information in this document is believed to be complete and accurate at the time of publication. Metenova assumes no responsibility for any errors that may appear in this document. Customer is responsible for determining Metenova's product will perform suitable in the intended application.