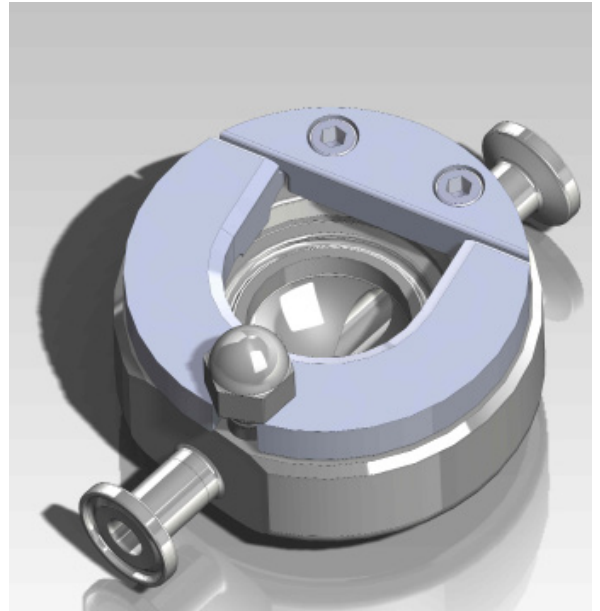


Hold In Place Inline

Product Description

The Metenova HIP Inline, **Hold In Place** Inline-connection offers a simplified way of connecting your flanged connections in just seconds. The unique hinged design makes it simple and secure, with a one bolt lock.

The excellent aseptic design, materials complying with FDA regulations combined with a unique easy to use patent pending design. For use in the pharmaceutical and biotechnology industries.



Technical specifications

General Information

Base with TC connections or tubing - wetted part

Heat Certificate:	3.1 acc. to EN 10 204
Connection Base:	Stainless Steel AISI 316L ASME SA-479
Internal Surface Roughness:	$Ra \leq 0,5 \mu\text{m}$ (20 μin)
External Surface Roughness:	$Ra \leq 1,6 \mu\text{m}$ (63 μin)
Design Temp:	-80°C - 200°C (-112°F - 392°F)
Design Pressure	-1 - 7 barg (-14.7 - 103 psig)

Other

U-Lock	Stainless Steel AISI 316L ASME SA-479 / EN 10272
Hinge	Stainless Steel AISI 316L ASME SA-479 / EN 10272
Acorn Nut	A4 Stainless Steel EN 1,4401/ EN 1,4301
Pin Bolt	A4 Stainless Steel EN 1,4401/ EN 1,4301
Bolts	A4 Stainless Steel EN 1,4401/ EN 1,4301

Packaging & Labeling:

For traceability purposes items are marked with item and id number. They are individually packed and labeled boxes.

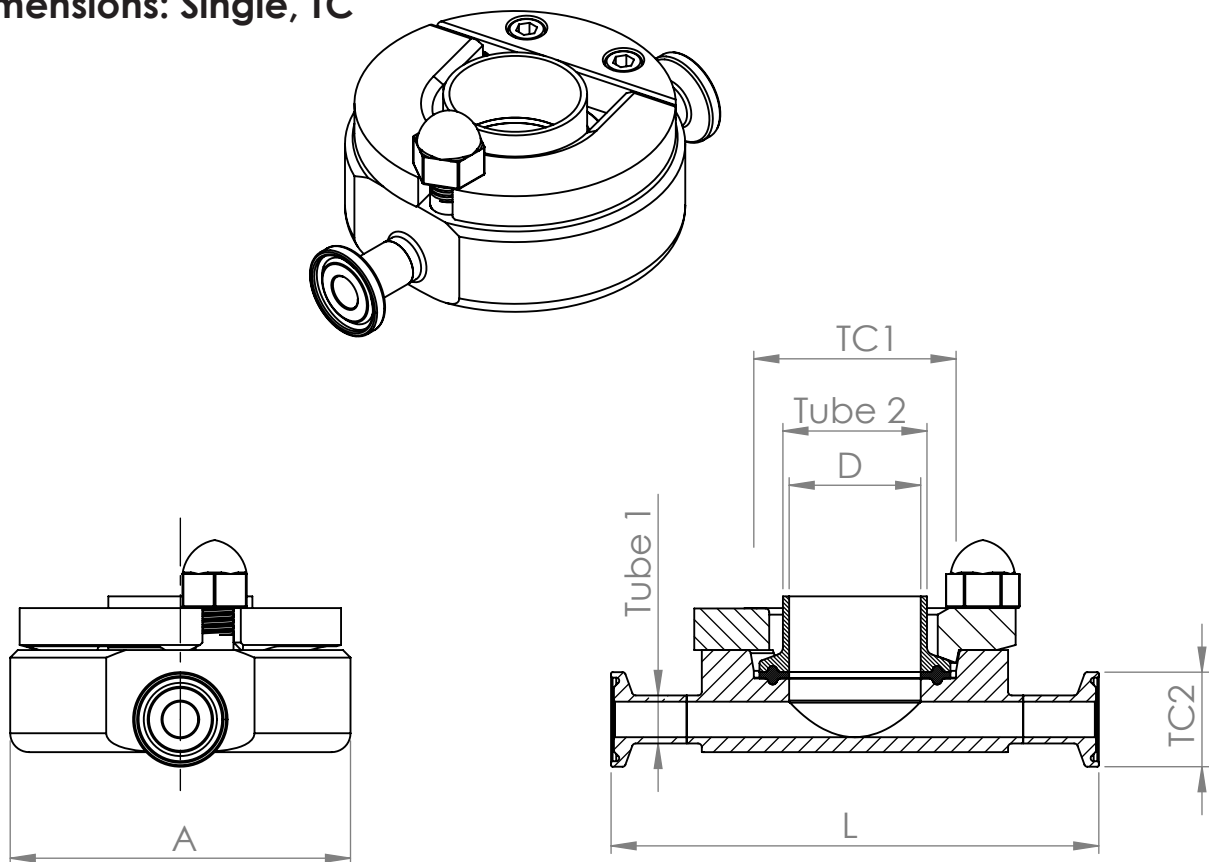
Quality Control: Metenova Quality Assurance system ensure the quality and traceability at all stages of the process.

Options: Non-standard Metenova HIP Options and other material are available, please contact Metenova for further information.

Hold In Place Inline

The HIP- Inline is available in different configurations and tube sizes.
Standard tube sizes available are 1/2", 3/4", 1", 1 1/2", 2"
Single or double access
Tube TC or butt end connection

Dimensions: Single, TC



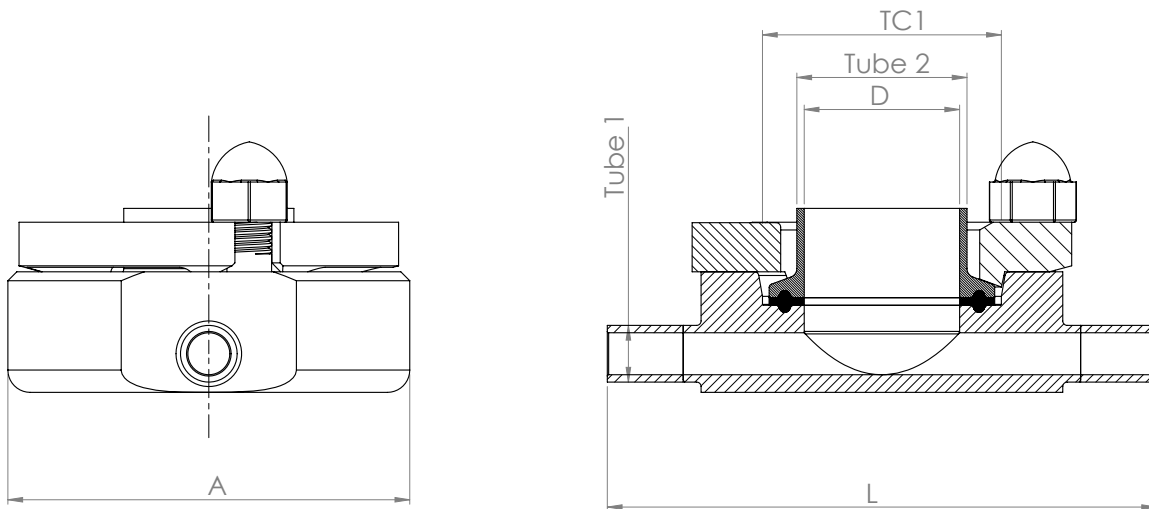
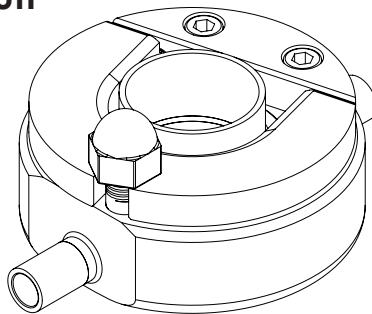
Description	TC1	TC2	A(mm)	D(mm)	L(mm)	Tube1	Tube2
ASTM A269/270 with TC on both sides							
HIP150605-001268	50,5	25	90	34,8	129	1/2"(12,7x1,65)	1 1/2"(38,1x1,65)
HIP150605-001269	50,5	25	90	34,8	129	3/4"(19,1x1,65)	1 1/2"(38,1x1,65)
HIP150605-001270	50,5	50,5	90	34,8	129	1"(22,1x1,65)	1 1/2"(38,1x1,65)
HIP150605-001271	50,5	50,5	90	34,8	129	1 1/2"(38,1x1,65)	1 1/2"(38,1x1,65)
HIP150605-001272	50,5	64	90	34,8	129	2"(50,8x1,65)	1 1/2"(38,1x1,65)

* To be used with standard flanged type gaskets according to ISO 2852

Hold In Place Inline

The HIP- Inline is available in different configurations and tube sizes.
Standard tube sizes available are 1/2", 3/4", 1", 1 1/2", 2"
Single or double access
Tube TC or butt end connection

Dimensions: Single, Butt



Description	TC1	A(mm)	D(mm)	L(mm)	Tube1	Tube2
ASTM A269/270 with butt on both sides						
HIP150606-001280	50,5	90	34,8	123	1/2"(12,7x1,65)	1 1/2"(38,1x1,65)
HIP150606-001281	50,5	90	34,8	123	3/4"(19,1x1,65)	1 1/2"(38,1x1,65)
HIP150606-001282	50,5	90	34,8	123	1"(22,1x1,65)	1 1/2"(38,1x1,65)
HIP150606-001283	50,5	90	34,8	123	1 1/2"(38,1x1,65)	1 1/2"(38,1x1,65)
HIP150606-001284	50,5	90	34,8	123	2"(50,8x1,65)	1 1/2"(38,1x1,65)

* To be used with standard flanged type gaskets according to ISO 2852

Metenova AB
Vädursgatan 6, SE-412 50, Sweden
www.metenova.com info@metenova.com
+46 (0) 31 335 95 00